

MOTOR GENIE®

AT PRO

THE PERFECT TOOL FOR TROUBLE SHOOTING, START-UP & QUALITY CONTROL OF LOW VOLTAGE AC INDUCTION MOTORS.

Trouble Shooting.

Know in a few minutes what the problem is: connections or cable, electrical or mechanical, coil, internal fault or ground fault.

Start-up.

Make sure electrical motors, connections and cables are working in top condition.

Quality Assurance.

Test new and stored spare motors. Test repaired motors to find irregularities or a possible faulty repair with different wire sizes, or wiring configuration.

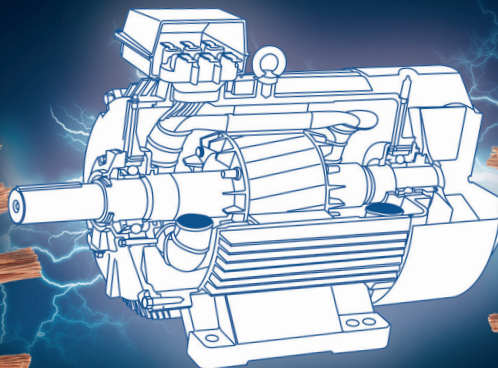
Revolutionary tester goes far beyond what you can see with only a Meg-OHM-Meter!

- Safe: De-energized testing
- Easy: As easy to use as any Meg-ohm-meter or multimeter
- Light: 1 pound, hand-held
- Batteries: They last for up to 10 hours of testing
- Best Value: Costs less than a good Meg-Ohm-Meter offering a quick return on your investment

What you will find with the MOTOR GENIE®

- **Internal Winding faults;** Turn-to-turn, coil-to-coil, open windings & continuity
- **Contaminated windings;** Grease, dirt & liquids, corrosion
- **Bad cables or connections;** Broken or damaged, corroded or loose connections
- **Insulation to ground faults;** Choose 500 or 1000 volt test, read to 500 M Ω
- **Phase Unbalance;** Z-unbalance = higher electric bills & shorter motor life

AT PRO



Contact us today!

Contact us today for more
information or an RFQ.
860-399-4222
sales@alltestpro.com

Stop Guessing Get your own MOTOR GENIE®!



The MOTOR GENIE® includes:

- MOTOR GENIE®
- Test Harness with Clips
- Battery Charger
- User Manual on CD



Available accessories:

- Protective Glove
- Carrying Pouch for belt & shoulder

Specifications:

- Size: 7.5" L, 4" W, 1" D
- Weight: 1.0 lb.
- Batteries: 6 pack, 7.2V – 1000mAh. Rechargeable NiCd

* Patented
* CE Listed

Electrical Motor Testing*

	Ground Faults	Internal Winding Faults**	Open Connection	Contamination
MOTOR GENIE®	YES	YES	YES	YES
Meg-Ohm-Meter	YES	NO	NO	YES
Volt/Ohm Meter	NO	NO	YES	NO

*Common electrical testing Instruments **Winding coil faults: turn-to-turn & coil-to-coil

Energy Efficiency - Plant & Services

Test all motors before installation & save time and money.

Save thousands of dollars and time by catching any faults before installing a new or repaired motor. See unbalanced phases that will cost you more money in energy use and shorten the life span of your motors.

Trouble Shoot.

Stop Guessing! Know Now! Know what the trouble is in a few minutes! Electrical or mechanical? Turn-to-turn fault? Connection Problem? Phase unbalance? Dirty windings? Short to ground?

Test electric motors & connections at start up.

Research shows that 1 in 100 motors have some faults and should not be put into service. Avoid unnecessary start-up labor and material costs. Use test results to create a professional bill of health report and avoid future warranty claims.

Repair Shop

Sort your incoming repairs.

Save hours of work per day and see your costs go down and profits go up! No need to clean and bake before determining the fault(s).

Give your customer top quality service.

Take the MOTOR GENIE® with you when picking up repairs or making a sales call. Help your customer (and yourself) by trouble shooting or by settling a warranty claim on site.

Parameter	Valid Test Range	Accuracy	Max Resolution	Repeatability
Resistance	0.1 ~ 250 Ω	± 3%	10m Ω	± 2%
Insulation Resistance (500V or 1000V)	0.1 ~ 100M Ω	± 3%	0.01M Ω	± 1%
	>100M ~ 500M Ω	± 5%		
Impedance	1 ~ 999 Ω	± 3%	10m Ω	± 2%
Phase Angle (°)	15° ~ 90°	± 2°	1°	± 1°
I/F (%)	-50% ~ -15%	± 2 Digits	1 Digit	± 1 Digit

Specifications subject to change without notice.



ALL-TEST Pro, LLC

P.O. Box 1139 • Old Saybrook, CT 06475
Tel 860.399.4222 • Fax 860.399.3180
info@alltestpro.com • www.alltestpro.com

Represented By